



# Specification Sheet Model NXRH180 Series

## Description

The NuVent NXRH180 Series Range Hoods offer reliable performance in a powder coated steel shell. All NXRH180 Series models feature a centrifugal blower and 3 1/4"x10" horizontal or vertical discharge.

## Features

### Hood

- Sturdy steel construction.
- Powder coated finish.
- Hemmed bottom.
- Available in 30 inch width.
- Available in White/White, Black/Black, Almond/Black, and Stainless Steel finishes.

### Blower

- Two-speed blower control with rocker switch.
- Removable blower mounts for top or back discharge.
- Plug in motor rated for 120 volts 60 Hz operation.

### Lamp

- Polymeric light lens.
- Single 40-watt lamp (bulb not included).

### Other

- Washable aluminum grease filter.
- 3 1/4" x 10" duct connector, damper included (vertical or horizontal discharge).
- May be installed for ductless operation.
- Knockout provided for alternative 7" round duct connector (top discharge). 7" round duct connector not included.

## Performance

- Air Delivery - 160cfm @ .1"w.g. s.p. (horizontal or vertical 3 1/4" x 10" discharge)
- 190cfm @ .1"w.g. s.p. (7" round discharge)
- Sound Level- 6.5 sones
- Volts -120
- Hertz - 60
- Amps - 1.0
- Duct - 3 1/4" x 10"

The Home Ventilating Institute has tested and certified the airflow performance (CFM) and sound levels (sones) of this product.



## General

This product has been evaluated by Underwriters Laboratories and the Canadian Standards Association and conforms to both UL and CSA safety standards.



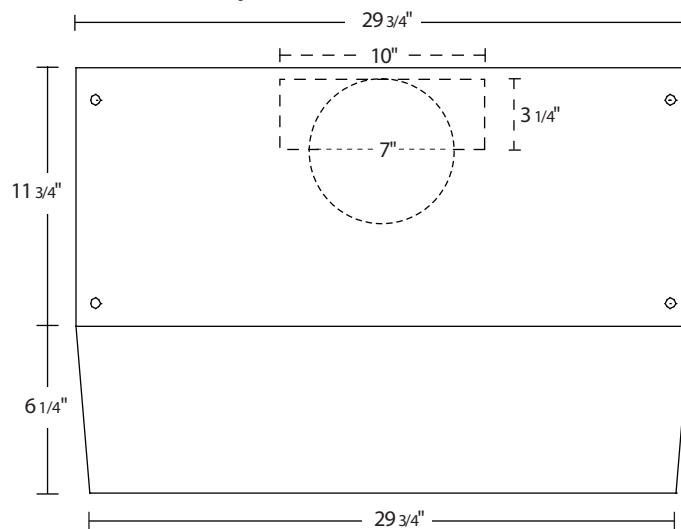
## Specifications

NuVent ventilator model NXRH180 Series. The range hood shall be constructed from powder coated steel with hemmed bottom and washable aluminum grease filter. Venting shall be 3 1/4" x 10" horizontal or vertical or may be installed for ductless operation. Air delivery and sound levels shall be certified by HVI at the levels listed for this model. All units shall be UL listed.

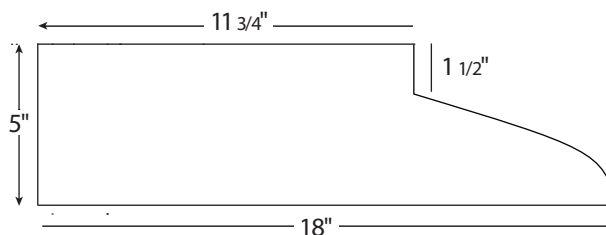
Model number shall be: NXRH18030yy where:

yy = Color of hood (WW=white/white, BB=black/black, AB=almond/black, SS=stainless)

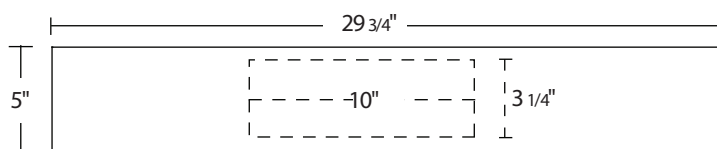
### HOOD DIMENSIONS (top view)



### HOOD DIMENSIONS (side view)



### HOOD DIMENSIONS (back view)



SPECIFICATION			PROJECT:
Reference	Quantity	Comments	Location:
			Architect:
			Engineer:
			Contractor:
			Submitted by:
			Date: