

### Description

The NuVent SH Series fan-lights offer exceptionally quiet performance and low energy consumption in a sturdy galvanized steel housing. All S Series models feature an exclusive curved grille design for contemporary style, making it an attractive option for bathroom and general ventilation applications where low noise levels are required.

### Features

#### Grille

- Attractive curved styling with soft rounded profiles.
- Textured, white polymeric.
- Mounts directly to housing with torsion springs.

#### Housing

- Heavy 22-gauge galvanized steel construction.
- Extended discharge collar for easy attachment to 4" diameter duct.
- Mounts with adjustable hanger bars (included).
- Top and side electrical knockouts for easy access.
- Large removable wiring compartment.

#### Blower

- Built-in backdraft damper.
- Removable blower with easy slide-in mounting.
- Resiliently mounted PSC motor for quiet and energy efficient operation.
- Plug in motor rated for 120 volts 60 Hz operation.

#### Light

- Bright, 100-watt incandescent bulb (not included).

#### Other

- This product is approved for use over tub/shower enclosures when installed in a GFI protected branch circuit.
- Permanently lubricated ball bearing, PSC motor.
- Dual inlet, forward curved blower wheel.
- Built in backdraft damper.
- Meets the requirements of the Northwest Energy Code for low energy consumption.

### Performance

- Air Delivery - 127cfm @ .1"w.g. s.p.
- Sound Level - 2.0 sones
- Volts - 120
- Hertz - 60
- Amps - 2.0
- Watts - 44.9 (fan only)
- Duct - 4" round
- Lamp - 100-watt maximum A-19



The Home Ventilating Institute has tested and certified the airflow performance (CFM) and sound levels (sones) of this product.

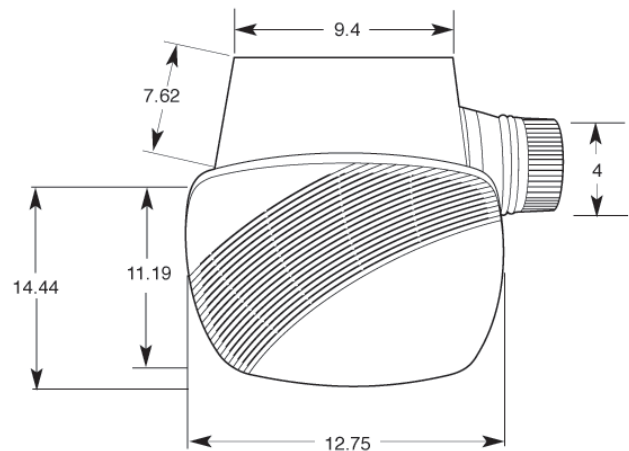
### General

This product has been evaluated by Underwriters Laboratories and conforms to both UL and CSA safety standards.

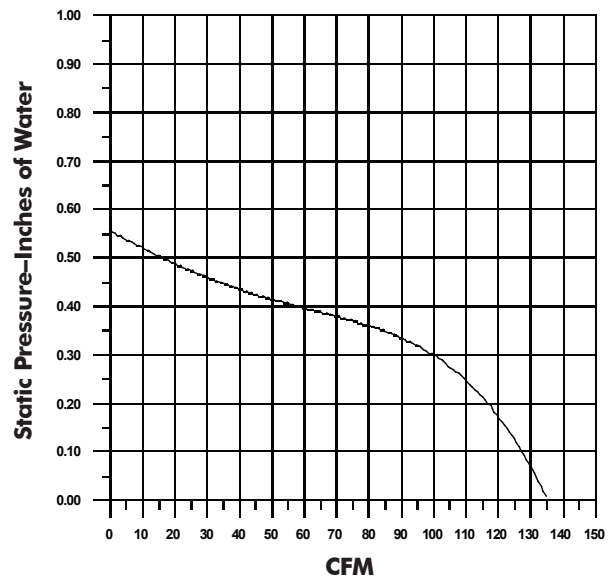


### Specifications

NuVent ventilator model NXSH130L. The ventilator shall be constructed with a galvanized steel housing including adjustable hanger bar mounting and 4" diameter discharge collar. The blower unit shall be removable with a permanently lubricated, ball bearing, plug-in motor. Air delivery and sound levels shall be certified by HVI at the levels listed for this model. All units shall be UL listed.



**NuVent Product Performance**  
**Model NXSH130L**



SPECIFICATION			PROJECT:
Reference	Quantity	Comments	Location:
			Architect:
			Engineer:
			Contractor:
			Submitted by:
			Date: